

DINIS

TRANSPORT & STORAGE EQUIPMENT

Storage trolleys

CATALOGUE D19



www.dinis.bg

1618 Sofia
227A Tcar Boris III Blvd.
e-mail: info@dinis.bg
Phone: 02/ 955 62 00

TABLE WORKING TROLLEY **TWT-300DHL-1000x400-GKB**

The Table working trolley is equipment with two levels from particle boards. The top level has three particle boards around. The meshwork areas from three sides protect the load from falling or spilling. There is metal cashbox with a lock below the top level. The equipment is use for mobile working place, for storage of delicate and small-sized items, documents and private objects. It is suitable for use in big warehouses and logistic centers.



TWT-300DHL-GKB

specialized
trolley



Standard solid rubber tyre,
pressed steel rim
LE-VE 125R-F1



Standard solid rubber tyre,
pressed steel rim
LE-VE 125R



Standard solid rubber tyre,
pressed steel rim
B-VE 125R

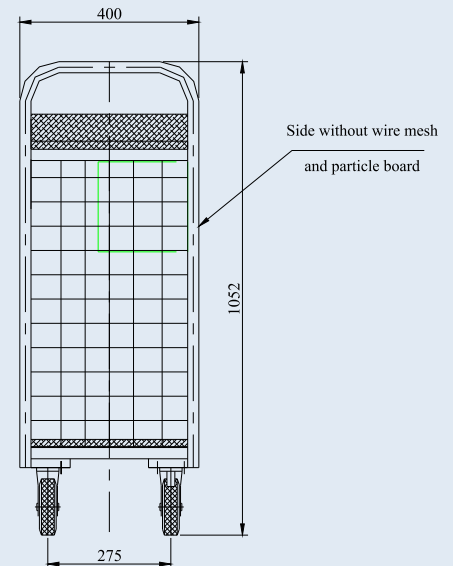
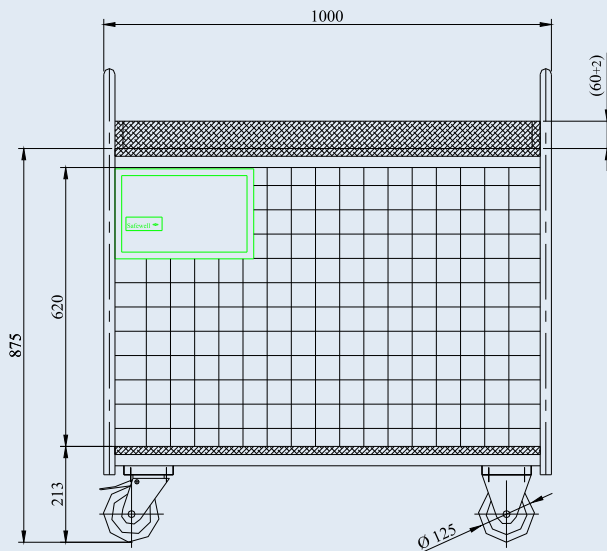


TABLE WORKING TROLLEY

Total load capacity, kg	300
Shelf size, mm	914x400
Distance between shelves, mm	660
Height to the bottom shelf, mm	213
Height to the top shelf, mm	875
Load capacity per shelf, kg	150
Wheel diameter, mm	125
Overall dimensions, mm	
- length	1000
- width	400
- height	1052
Dead weight, kg	41.2

TWT-300DHL-1000x400-GKB