

DINIS

TRANSPORT & STORAGE EQUIPMENT

Storage trolleys

CATALOGUE D19



www.dinis.bg

1618 Sofia
227A Tcar Boris III Blvd.
e-mail: info@dinis.bg
Phone: 02/ 955 62 00

TABLE WORKING TROLLEY **TWT-300ABB-800x600-LE**

The Table working trolley is equipment with two levels made of particle boards. The top level has three small particle boards around. The equipment is suitable for use like mobile working place in big logistic centers, production and warehouse premises. The free space to the board allows work from several persons together. All of the castors are swivels and ensure maneuverability in small areas.



specialized
trolley



Standard solid rubber tyre,
pressed steel rim
LE-VE 125R

TWT-300ABB-LE

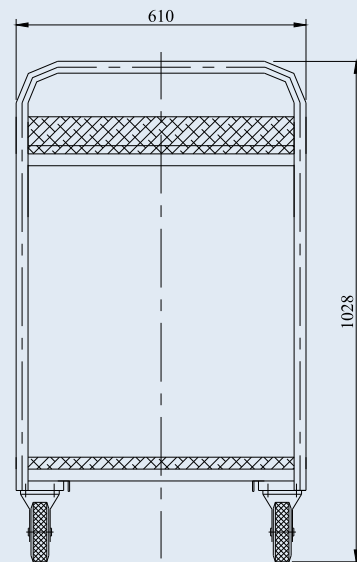
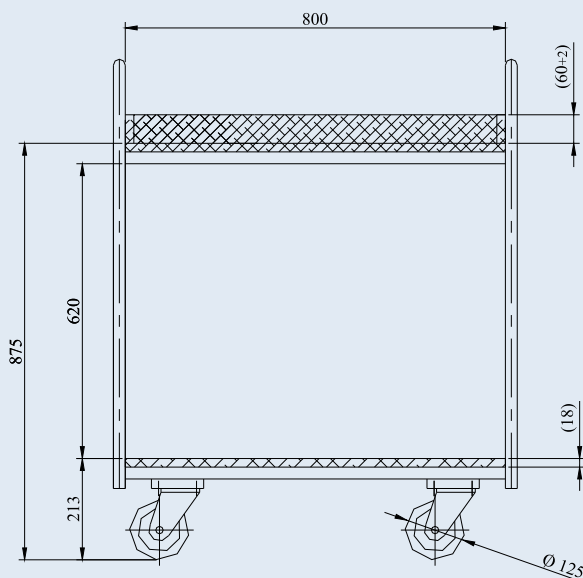


TABLE WORKING TROLLEY

Total load capacity, kg
Shelf size, mm
Distance between shelves, mm
Height to the bottom shelf, mm
Height to the top shelf, mm
Load capacity per shelf, kg
Wheel diameter, mm
Overall dimensions, mm
- length
- width
- height
Dead weight, kg

TWT-300ABB-800x600-LE

300
800x600
662
213
875
150
125

850
610
1028
32.8