

DINIS

TRANSPORT & STORAGE EQUIPMENT

Storage trolleys

CATALOGUE D19



www.dinis.bg

1618 Sofia
227A Tcar Boris III Blvd.
e-mail: info@dinis.bg
Phone: 02/ 955 62 00

TABLE WORKING TROLLEY **TWT-300-1000x500-PATH-FI**

The Table working trolley is equipment with two levels made of particle boards. The top level has three small particle boards around. The meshwork areas from three sides protect the load from falling or spilling. The equipment is suitable for use like mobile working place where to put on delicate and small-sized items. All of the castors are swivels, two of them with brakes. The wheels are made from nylon wheel center and high-quality thermoplastic polyurethane tread.



TWT-300-PATH-FI

specialized
trolley



Nylon wheel centre with polyurethane tread, thread guard

LE-PATH 125K-FK-FI



Nylon wheel centre with polyurethane tread, thread guard

LE-PATH 125K-FK

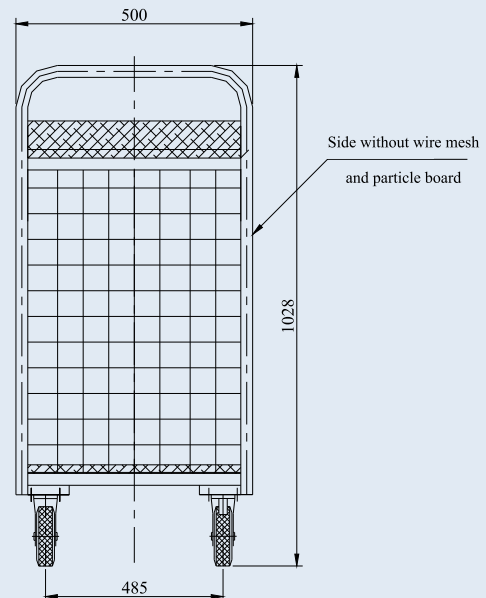
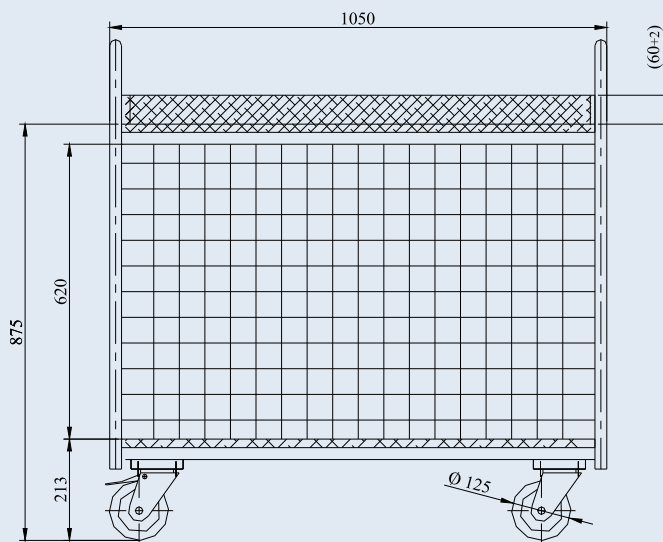


TABLE WORKING TROLLEY

Total load capacity, kg	300
Shelf size, mm	960x470
Distance between shelves, mm	650
Height to the bottom shelf, mm	213
Height to the top shelf, mm	875
Load capacity per shelf, kg	150
Wheel diameter, mm	125
Overall dimensions, mm	
- length	1050
- width	500
- height	1028
Dead weight, kg	27.3

TWT-300-1000x500-PATH-FI