

DINIS

TRANSPORT & STORAGE EQUIPMENT

Storage trolleys

CATALOGUE D19



www.dinis.bg

1618 Sofia
227A Tcar Boris III Blvd.
e-mail: info@dinis.bg
Phone: 02/ 955 62 00

TRANSPORT TABLE TROLLEY **TTC-150-1000x700x800-GKB**

The Transport table trolley is equipment with compact handle and two levels made of particle boards. It is suitable for use like mobile work table. The free space to the board allows work from several persons together. The castors are with top plate fitting. The wheels are with steel rim and black standard solid rubber tyre.



TTC-150-GKB

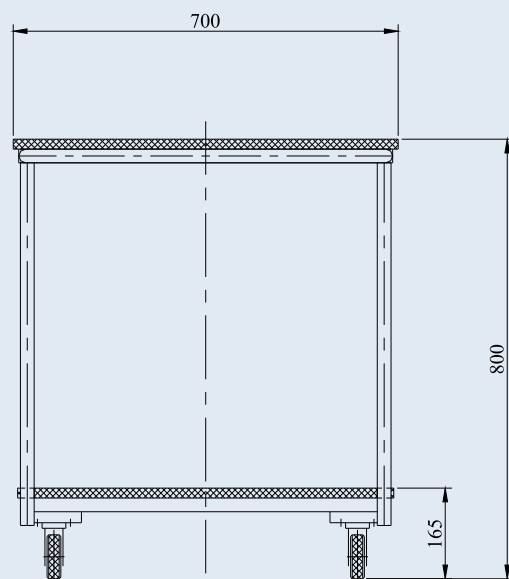
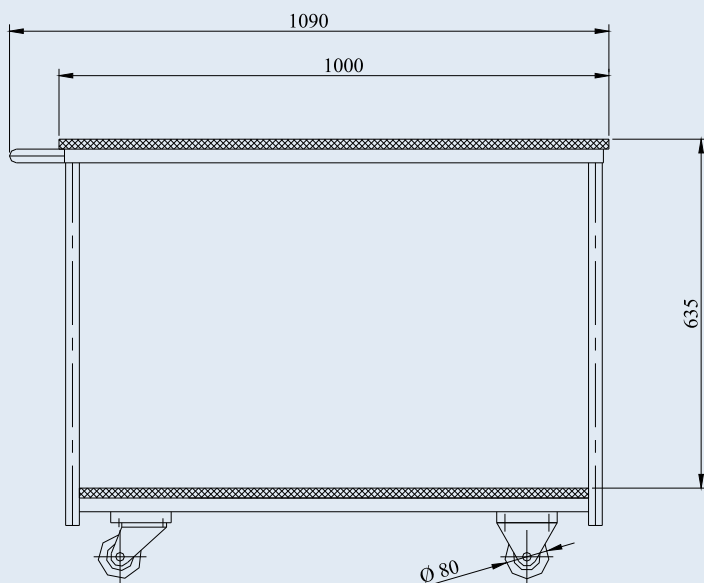
specialized
trolley



Standard solid rubber tyre,
pressed steel rim
LE-VE 80R



Standard solid rubber tyre,
pressed steel rim
B-VE 80R



TRANSPORT TABLE TROLLEY

Total load capacity, kg

Top table size, mm

Bottom table size, mm

Distance between top and bottom table, mm

Height to the bottom table, mm

Height to the top table, mm

Load capacity per table, kg

Wheel diameter, mm

Overall dimensions, mm

- length

- width

- height

Dead weight, kg

TTC-150-1000x700x800-GKB

150

1000x700

920x684

635

165

800

75

80

1090

700

800

32