

# **DINIS**

**TRANSPORT & STORAGE EQUIPMENT**

# **Storage trolleys**

**CATALOGUE D19**



**[www.dinis.bg](http://www.dinis.bg)**

1618 Sofia  
227A Tcar Boris III Blvd.  
e-mail: [info@dinis.bg](mailto:info@dinis.bg)  
Phone: 02/ 955 62 00

# TRANSPORT TROLLEY FOR AUTOMOTIVE GLASSES

## TTAG-300-1000x700-GKL

The Transport trolley for automotive glasses is equipment which is produced according to specific request of customer for transport and storage of car glasses. There are six parallel baffles which protect the car glasses and helps to separate it. The two outer baffles are fixed, and the four inner baffles can be demontage according to request of the working process. There are extra softening elements on the bottom of the trolley and around the baffles to protect the glasses from injury and breaks.



TTAG-300-GKL

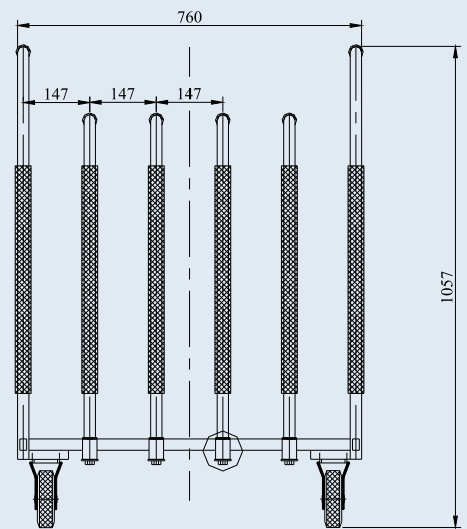
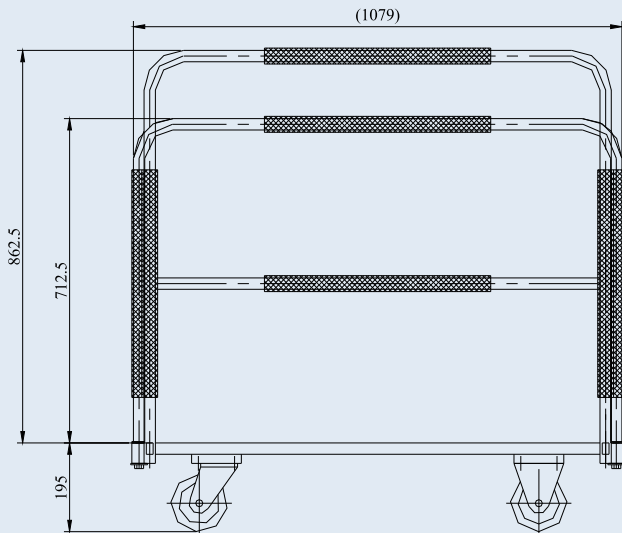
specialized  
trolley



Standard solid rubber tyre,  
synthetic rim  
LE-VPP 125R



Standard solid rubber tyre,  
synthetic rim  
B-VPP 125R



### TRANSPORT TROLLEY FOR AUTOMOTIVE GLASSES

Load capacity, kg  
Platform size, mm  
Height to the platform, mm  
Wheel diameter, mm  
Overall dimensions, mm  
- length  
- width  
- height  
Dead weight, kg

### TTAG-300-1000x700-GKL

300  
1000x700  
195  
125  
1079  
760  
1057  
36.5