

# ***DINIS***

***TRANSPORT & STORAGE EQUIPMENT***

# **Storage trolleys**

**CATALOGUE D19**



**[www.dinis.bg](http://www.dinis.bg)**

1618 Sofia  
227A Tcar Boris III Blvd.  
e-mail: [info@dinis.bg](mailto:info@dinis.bg)  
Phone: 02/ 955 62 00

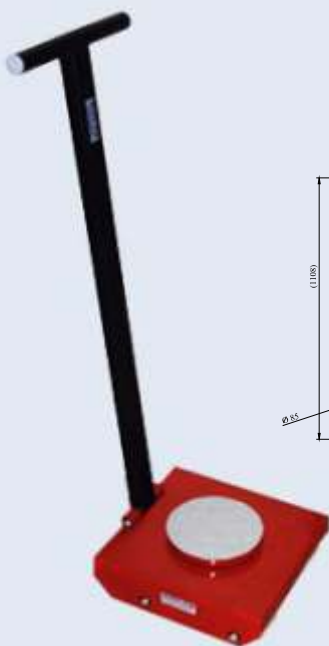
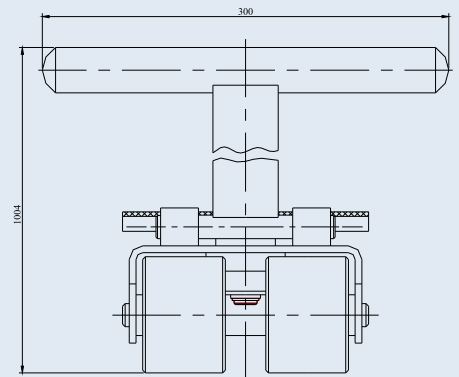
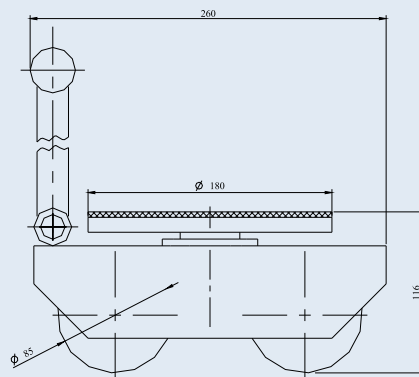
# TRANSPORT MECHANISMS **TMS** and **TMF**

The Transport mechanisms are equipment with extremely small overall dimensions and high load capacity. They are used for transport of heavy machines and equipment in short distance. They are suitable for indoor use on even floors. There are two types – swivel TMS with convenient handle for pulling, which is put in front of the composition and fixed TMF which is placed behind. The extra rubber surface onto the mechanisms protect the equipment from slipping and scratching. In dependence of load weight it is necessary to select the set from swivel (TMS) and fixed (TMF) mechanisms with corresponding total load capacity. The rollers could be made from nylon or be with polyurethane tread.

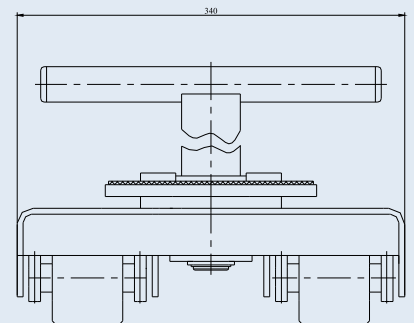
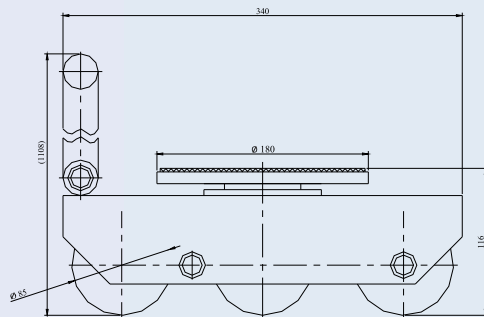
universal equipments



**TMS-2000-4HPO**



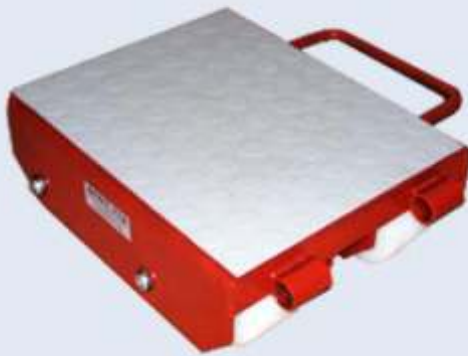
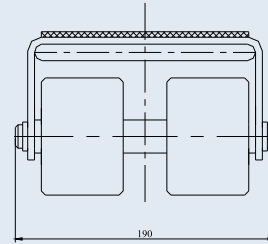
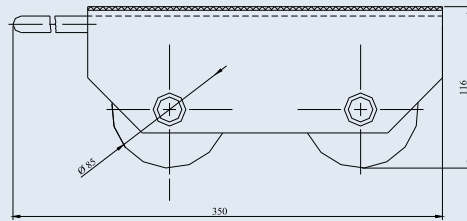
**TMS-3900T-6HPO**



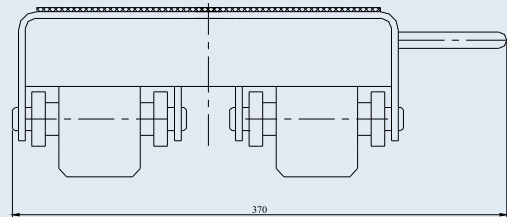
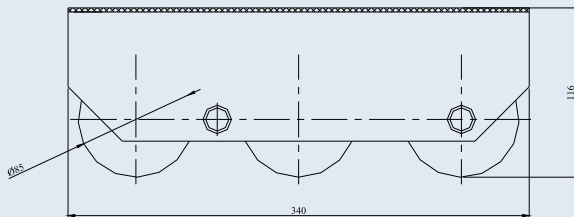
# TRANSPORT MECHANISMS **TMS** and **TMF**



**TMF-2000-4HPO**



**TMF-3900T-6HPO**



Nylon roller  
HPO 85x60/17-60K



Roller with polyurethane tread  
HTH 85x60/17-60K

## TRANSPORT MECHANISMS

Type	TMS-2000	TMF-2000	TMS-3900T	TMF-3900T
Load capacity, kg	2000	2000	3900	3900
Rollers diameter, mm	85	85	85	85
Number of rollers, pcs	4	4	6	6
Height to support surface, mm	116	116	116	116
Overall dimensions, mm				
- length (A)	260	350	340	340
- width (B)	300	190	340	370
- height (H)	1004	116	1108	116
Dead weight, kg	11	6	22	14