

DINIS

TRANSPORT & STORAGE EQUIPMENT

Storage trolleys

CATALOGUE D19



www.dinis.bg

1618 Sofia
227A Tcar Boris III Blvd.
e-mail: info@dinis.bg
Phone: 02/ 955 62 00

ROLLER TECHNOLOGICAL TROLLEY

RTT-1000-1280x800-POTH

The Roller technological trolley is suitable for transport of palletized loads in short distance. The main use of the trolley is for end or middle station in rolling technology line. In the end of technology line the items could be easily moved into the trolley and back. The trolley is equipped with a locking system which protects the load from free moving during the transportation. The castors are made of nylon wheel center with thermoplastic polyurethane tread.



RTT-1000-POTH

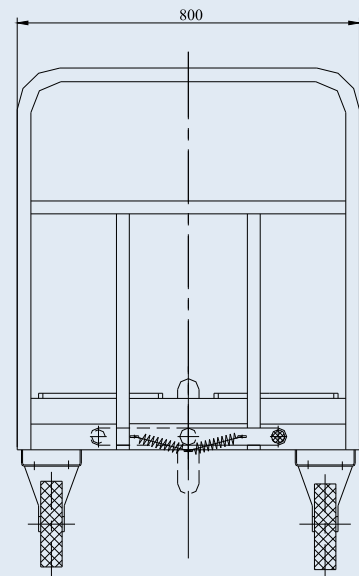
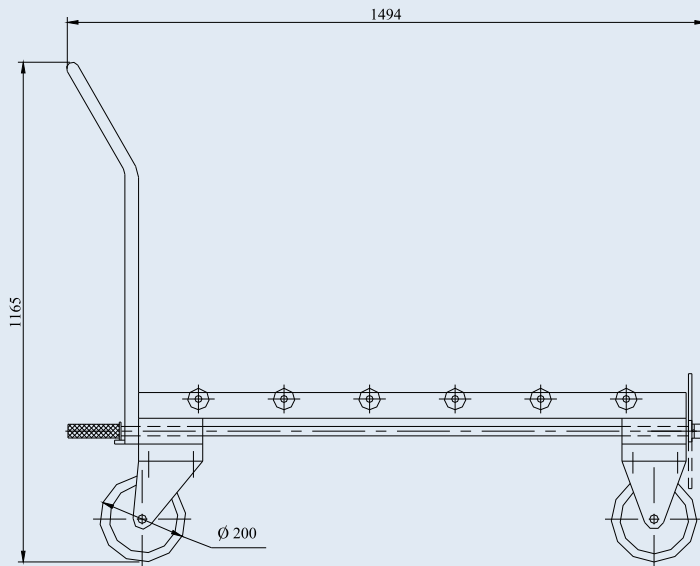
specialized
trolley



Nylon wheel centre with
polyurethane tread
LE-POTH 200R



Nylon wheel centre with
polyurethane tread
B-POTH 200R



ROLLER TECHNOLOGICAL TROLLEY

Load capacity, kg

Platform size, mm

Height to the platform, mm

Wheel diameter, mm

Overall dimensions, mm

- length

- width

- height

Dead weight, kg

RTT-1000-1280x800-POTH

1000

1280x800

405

200

1494

800

1165

72.1