

DINIS

TRANSPORT & STORAGE EQUIPMENT

Storage trolleys

CATALOGUE D19



www.dinis.bg

1618 Sofia
227A Tcar Boris III Blvd.
e-mail: info@dinis.bg
Phone: 02/ 955 62 00

TROLLEY FOR FLATNESS PTF-800D-1200x800-GKB-FI

The trolley for flatness is suitable for transport of long materials, particle boards, wood/MDF flatness, technical plywood, drywall, laths, etc. This type has four parallel load bars which provide sorting of the load. The two outer baffles are fixed, and the two inner baffles can be moved in five possible positions, depending on the load. The baffles are comfortable when pulling/pushing the trolley from two and more persons in the same time. The bottom side is made of plywood. All of the castors are swivels with brakes for additional security on sloping areas.



PTF-800D-GKB-FI

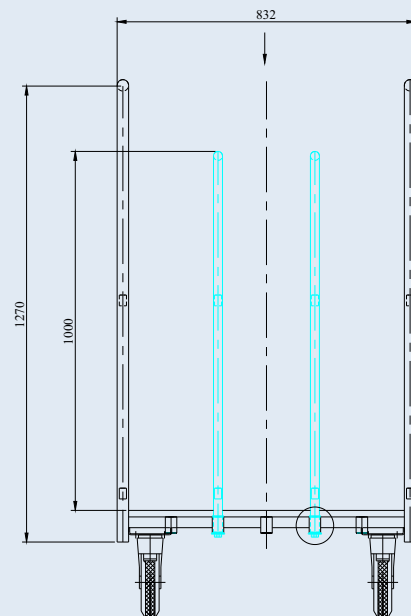
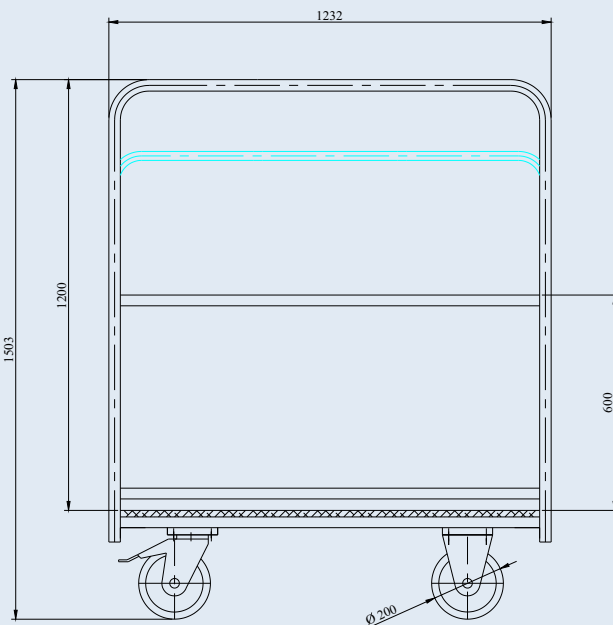
specialized
trolley



Standard solid rubber tyre,
pressed steel rim
LE-VE 200R-FI



Standard solid rubber tyre,
pressed steel rim
B-VE 200R



TROLLEY FOR FLATNESS

Load capacity, kg

Platform size, mm

Height to the platform, mm

Wheel diameter, mm

Overall dimensions, mm

- length

- width

- height

Dead weight, kg

PTF-800D-1200x800-GKB-FI

800

1200x800

303

200

1232

832

1503

66.5