

DINIS

TRANSPORT & STORAGE EQUIPMENT

Storage trolleys

CATALOGUE D19



www.dinis.bg

1618 Sofia
227A Tcar Boris III Blvd.
e-mail: info@dinis.bg
Phone: 02/ 955 62 00

TWO-SHELF TROLLEY PTDS-181LC-700X500-VPA

The Two-shelf trolley is constructed for transport and storage of containers with technical fluids. Each of the shelves is designed as tray with board and protect the production areas from pollution with used liquids in production processes. The trolley is suitable for service and production premises. All of the castors are with non-marking gray rubber tread and have thread guard.

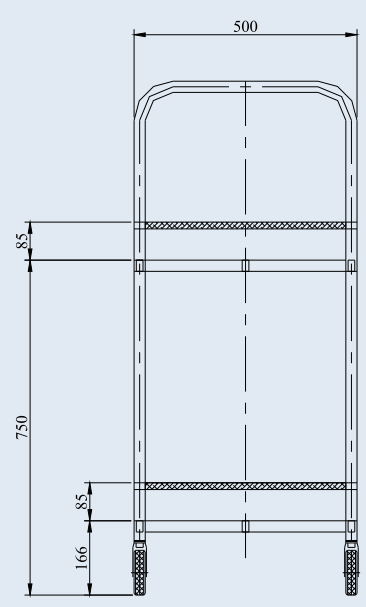
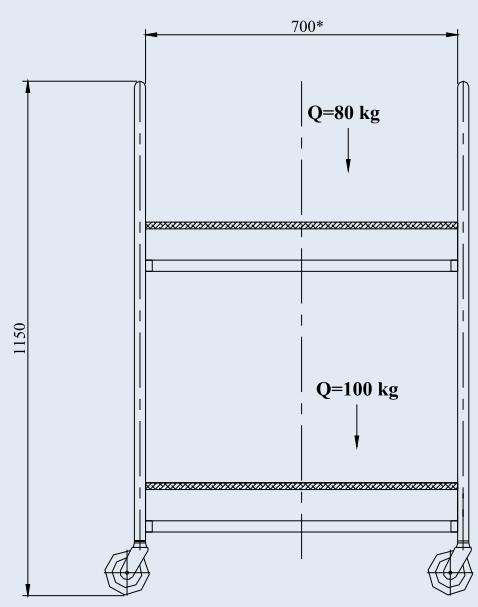


specialized trolley



Grey non-marking rubber tyre, thread guard
LRA-VPA 100K-FA

PTDS-181LC-VPA



TWO-SHELF TROLLEY

- Total load capacity, kg
- Shelf size, mm
- Height to the platform, mm
- Height to the top shelf, mm
- Load capacity of top shelf, kg
- Load capacity of bottom shelf, kg
- Wheel diameter, mm
- Overall dimensions, mm
 - length
 - width
 - height
- Dead weight, kg

PTDS-181LC-700x500-VPA

- 180
- 700x500
- 166
- 750
- 80
- 100
- 100
- 100
- 700
- 500
- 1150
- 23.5