

STAND FOR WRAPPING PAPER **HUS-100AQ-1300x800x1500-VPA**

The Stand is designed for vertical arrangement of 3 pieces of roll – wrapping paper, stretch film, bubble wrap, rice paper, corrugated cardboard, stretch paper, etc. It is produced according to specific requirement of customer for dimensions and functionality. It is suitable for combined use – transport, storage and convenient packaging assistant. It is suitable for indoor use. The three pipes for rolls are movable and easy displacement and replacement is possible. The stand is maneuverable in tight spaces because of the fourth swivel castors. There are four adjustable and fixing supports that lock it in the workplace.

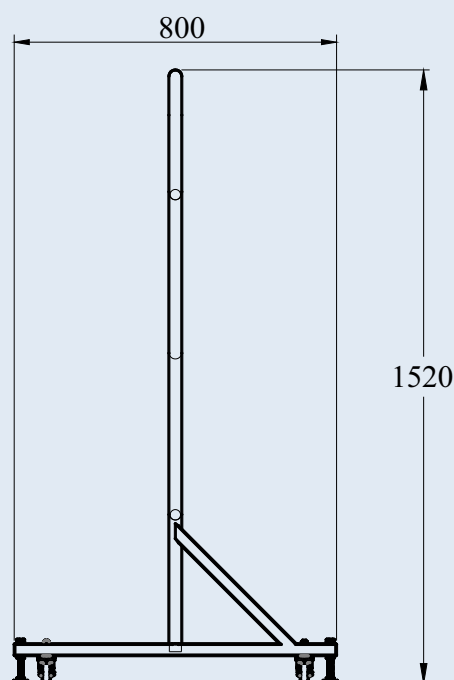
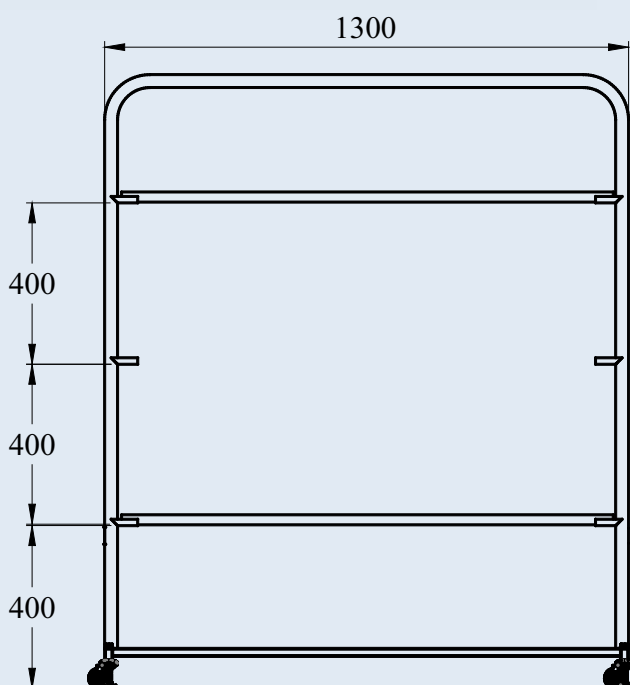


HUS-100AQ-VPA

specialized
trolley



Grey non-marking
rubber tyre
LRA-VPA 50K



STAND FOR WRAPPING PAPER

HUS-100AQ-1300x800x1500-VPA

Load capacity, kg	100
Wheel diameter, mm	50
Overall dimensions, mm	
- length	1300
- width	800
- height	1520
Dead weight, kg	20.5