

DINIS

TRANSPORT & STORAGE EQUIPMENT

Storage trolleys

CATALOGUE D19



www.dinis.bg

1618 Sofia
227A Tcar Boris III Blvd.
e-mail: info@dinis.bg
Phone: 02/ 955 62 00

COMBINED-BASKET TROLLEY **CCPT-150-850x500-VPA**

The Combined-basket trolley is equipment which combines two different levels - bottom shelf and top basket. This type is alternative of two other types – Two-basket trolley and Two-shelf trolley. It is suitable for transport of different items – cartons, boxes, folders, packages, small-sized items, etc. in administrative, production and storage facilities. The compact dimensions, two handles and combine of shelf and basket make the trolley convenient to move of details between production lines, preparing and sorting of items in warehouses. All of the castors are swivels, with non-marking gray rubber tread and ensure maneuverability.

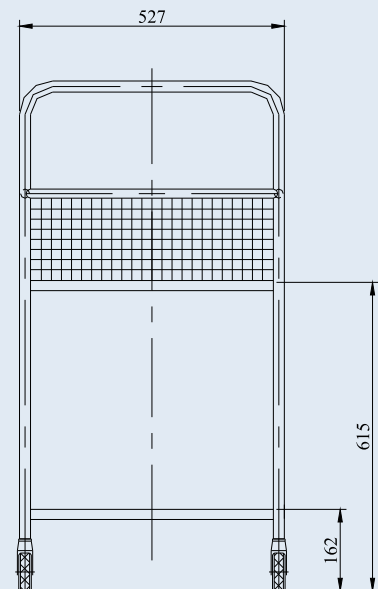
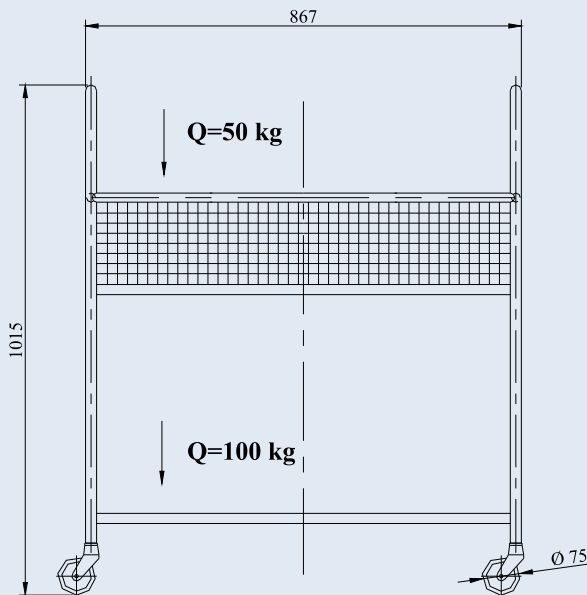


CCPT-150-VPA

specialized
trolley



Grey non-marking rubber tyre,
thread guard
LRA-VPA 75K-FA



COMBINED-BASKET TROLLEY

Total load capacity, kg	150
Load capacity of bottom platform, kg	100
Load capacity of top platform, kg	50
Platform size, mm	867x527
Height to the bottom platform, mm	162
Height to the top platform, mm	615
Wheel diameter, mm	75
Overall dimensions, mm	
- length	867
- width	527
- height	1015
Dead weight, kg	23

CCPT-150-850x500-VPA