

# TABLE WORKING TROLLEY **WTM-300DKU-800x600-GKB**

The Table working trolley is equipment with two levels made of particle boards. The top level has three small particle boards around. The area between two levels is protected from three sides with meshwork, and the fourth side is partially fenced. A special design protects the load from falling or spilling and the trolley is suitable for storage of delicate and small-sized items and valuables. The equipment is convenient to use in production, warehouse and exhibition premises like mobile working place or product presentation display.



**WTM-300DKU-GKB**

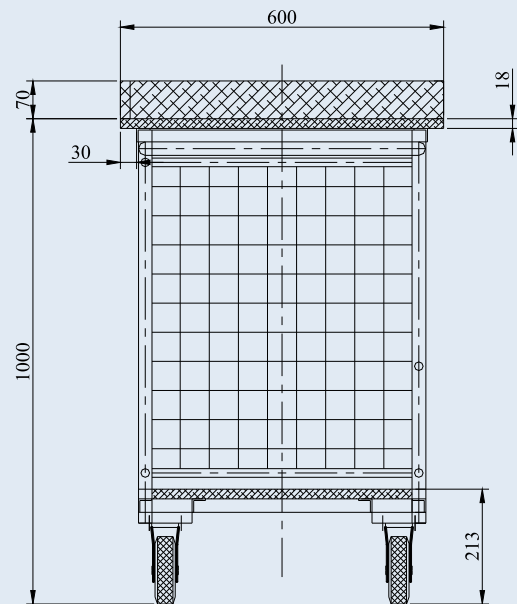
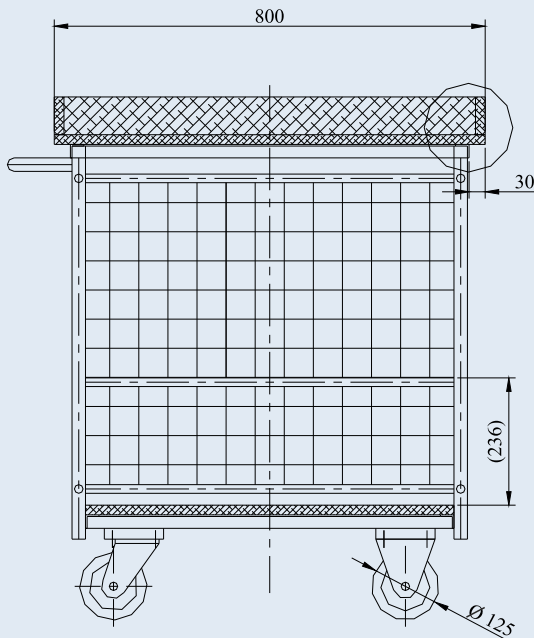
specialized  
trolley



Standard solid rubber tyre,  
pressed steel rim  
LE-VE 125R



Standard solid rubber tyre,  
pressed steel rim  
B-VE 125R



## TABLE WORKING TROLLEY

Load capacity, kg  
Top shelf size, mm  
Height to the bottom shelf, mm  
Load capacity per shelf, mm  
Wheel diameter, mm  
Overall dimensions, mm  
- length  
- width  
- height  
Dead weight, kg

## WTM-300DKU-800x600-GKB

**300**  
800x600  
213  
150  
125  
800  
600  
1000  
35.0