

TRANSPORT TROLLEY FOR PALLETS

TTP-1000MV-1200x800-GKP-FI-ELS

The Transport trolley for pallets is equipment for easy transporting of palletized loads with dimensions 1200x800 mm and load capacity up to 1.000 kg. It is suitable for use in production and warehouse premises. The height of the frame is at a suitable working level. Special angles make it easier to place the load, while supporting it and preventing displacement. The castors are with nylon wheels, one of them is electrically conductive version because is required the elimination of static electricity.



specialized
trolley



High-quality, impact-resistant nylon
B-PO 200K

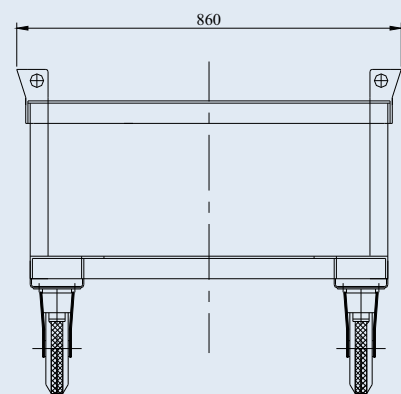
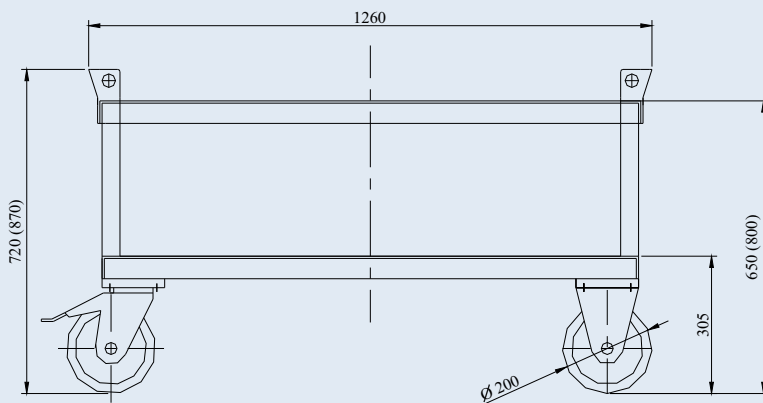


High-quality, impact-resistant nylon
L-PO 200K-FI



High-quality, impact-resistant nylon,
electrically conductive version
LE-PO 200K-FI-ELS

TTP-1000MV-1200x800-GKP-FI-ELS



TRANSPORT TROLLEY FOR PALLETS

Load capacity, kg
 Frame size, mm
 Height to the frame, mm
 Wheel diameter, mm
 Overall dimensions, mm
 - length
 - width
 - height
 Dead weight, kg

TTP-1000MV-1200x800-GKP-FI-ELS

1000
 1200x800
 650 (800)
 200
 1260
 860
 720 (870)
 55.9