

THREE-SHELF WORKING TABLE **TSWT-120S-700x700x1200-TPA**

The Three-shelf working table is suitable for use like mobile working place. The equipment is on three levels with additional storage drawer. The overall height is adjustable and allows convenience for use by employees of different heights. All of the castors are swivel and ensure manoeuvrability while the table is moving, and the brakes fixed it in stable position.

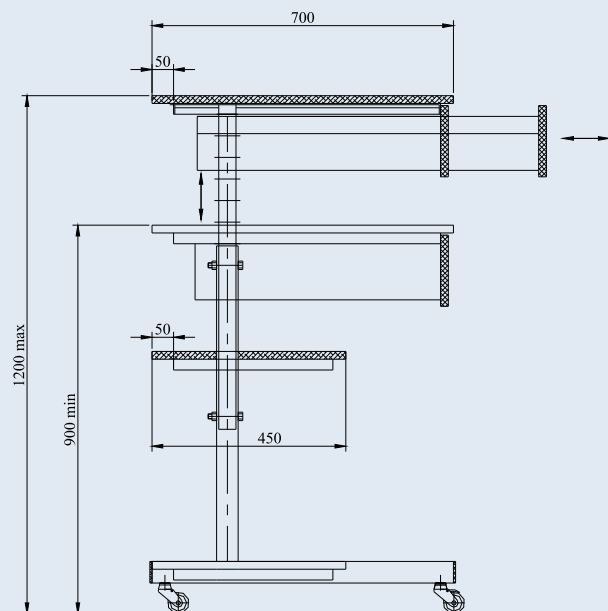
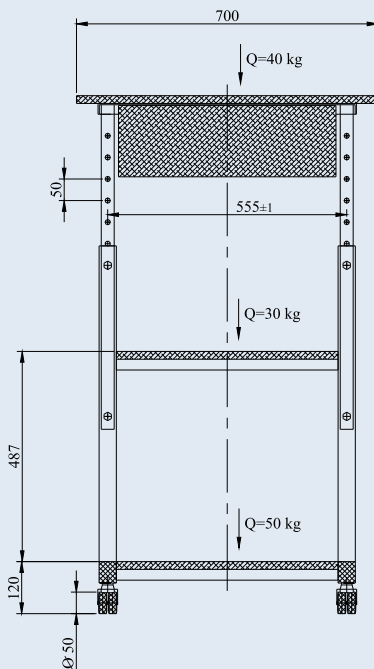


TSWT-120S-TPA

specialized trolley



Grey non-marking rubber tyre,
twin wheel castor
LMDA-TPA 50KF-FI



THREE-SHELF WORKING TABLE

TSWT-120S-700x700x1200-TPA

| | |
|--------------------------------|------------|
| Total load capacity, kg | 120 |
| Top shelf size, mm | 700x700 |
| Height to the bottom shelf, mm | 120 |
| Load capacity per shelf, kg | 50, 30, 40 |
| Wheel diameter, mm | 50 |
| Overall dimensions, mm | |
| - length | 700 |
| - width | 700 |
| - height | 1200 |
| Dead weight, kg | 38.5 |