

FOLDING HAND TRUCK **HTCS-300-PL-GL**

The Folding Hand truck is specialized trolley, an alternative to standard Hand truck. The light duty construction and compact size in folding position, which makes it suitable for convenient storage, boarding and get out of vehicles. The large dimensions of work area, which is protect from three sides with meshwork and load capacity of 300 kg allow multifunctional indoor and outdoor use. It is designed to facilitate the loading of shops and sites in pedestrian and hard-to-reach areas. The pneumatic tyres with diameter 260 mm provide silent movement and easy to overcome obstacles, sills and staircases.



HTCS-300-PL-GL



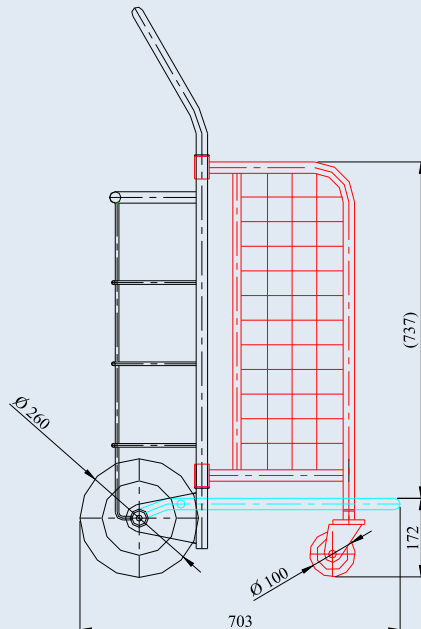
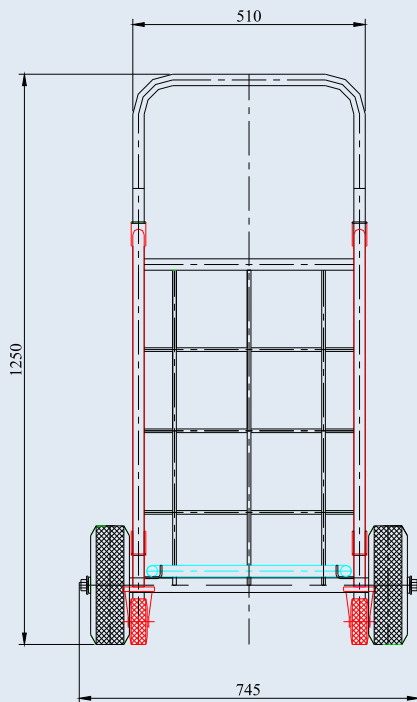
specialized trolley



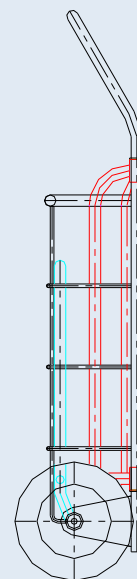
Pneumatic tyre, synthetic rim
PK 262/20-75R-ROT



Standard solid rubber tyre, synthetic rim
LER-VPP 100R



Folding position of trolley



FOLDING HAND TRUCK

- Load capacity, kg
- Platform size, mm
- Height to the platform, mm
- Wheel diameter (pneumatic tyre), mm
- Wheel diameter (support castor), mm
- Overall dimensions in working / folding positions, mm
 - length
 - width
 - height
- Dead weight, kg

HTCS-300-PL-GL

- 300
- 490x450
- 172
- 260
- 100
- 703 / 284
- 745 / 745
- 1250 / 1250
- 20.5